

● **ECH 75-20 TYPE**



With spring:
● **ECH75-20/RS**



Optional spring force:
Fs(s=0mm) = 37N
Fs(s=20mm) = 7N

Release spring NOT
incorporated in standard
product.

Protection rate: **IP40**
Insulation class: **B (130°C)**
Reference cycle: **5 minutes**
Standard stroke (s): **20 mm**
Temperature rise "ΔV₃₁": **70°C**
Working temperature: **-10 to 45°C**
Work: **Push / Pull**

(ED) Duty-cycle ED(%)	100	40	25	15	5
(P20) Power at 20°C (W)	48	110	165	265	755
(Fm) Solenoid force (N) 1)	57	93	114	150	258
Max time under voltage(s)	Inf	120	75	45	15
Opening time (ms) 2)	410	352	284	269	241
Release time (ms) 3)	256	222	181	172	156
Plunger weight (Kg)	0.375				
Solenoid weight (Kg)	3				

1) Fm Solenoid force is given according to VDE0580 without deducting the spring force or the plunger weight if vertical mounting.

2) Time is given on these conditions: Coil supplied under nominal voltage ; Stabilized in it's working temperature ; Load 70% of the solenoid force ; Horizontal assembly ; Standard stroke initial position; 20°C ambient temperature.

3) Time is given on these conditions: without load on shaft ; Horizontal assembly ; Standard stroke initial position.

Duty-cycle ED%	Standard voltages								Under demand				
	VDC								VDC		VAC		
	6	12	24	48	100	125	205	110	230	Min	Max	Min	Max
100	x	o	o	o	o	o	o	o	o	12	250	30	230
40	x	x	o	o	o	o	o	o	o	17	250	70	230
25	x	x	o	o	o	o	o	o	o	21	250	105	230
15	x	x	o	o	o	o	o	x	o	24	250	170	230
5	x	x	x	o	o	o	o	x	x	37	250	x	x

Layout: o = Available ; x = Unavailable

- Voltage under demand:
They can be manufactured at voltages between the maximum and minimum voltage values shown in the chart.

- To feed in alternating current the solenoid will have a rectifier incorporated in the connector.

- The duty cycles described in the chart are standard, they can be manufactured in any intermediate value.

- If any customization from the original is needed, please ask us.

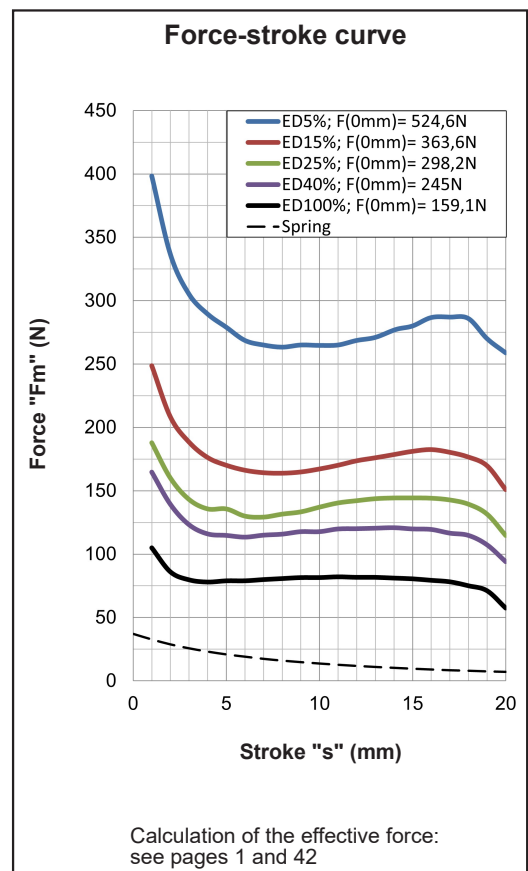
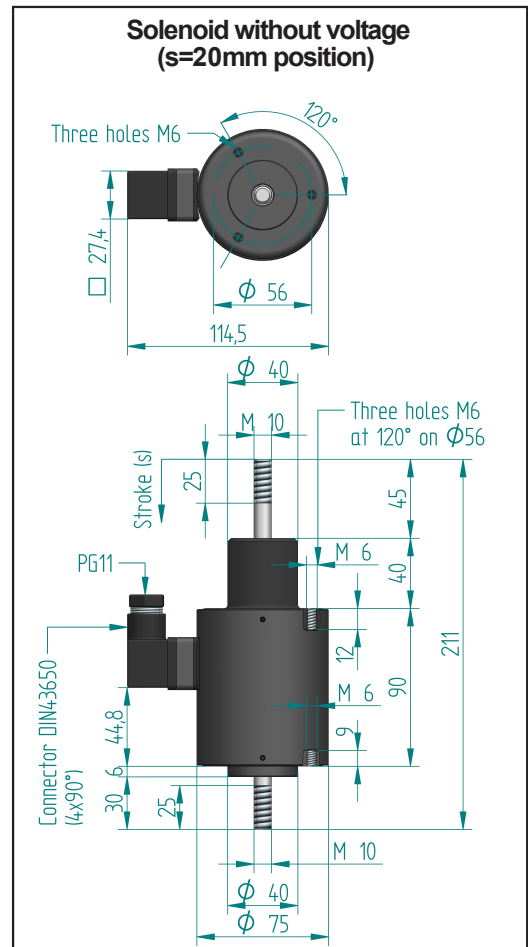
- Earthing is recommended if the metallic parts are accessible.

Ordering code: ECH75-20 --V ED---% - Spring

Voltage: 24Vdc; Duty cycle: ED100%; With spring:
ECH75-20 24Vdc ED100% RS

Voltage: 48Vdc; Duty cycle: ED15%; Without spring:
ECH75-20 48Vdc ED15% RN

Spring yes: **RS** ; Spring no: **RN**



For fixation and mounting positions: see page 42