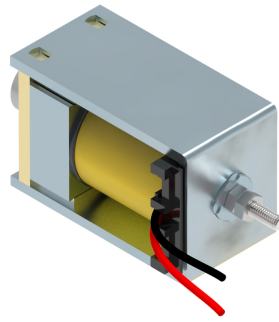


• **ERB 50/N TYPE**

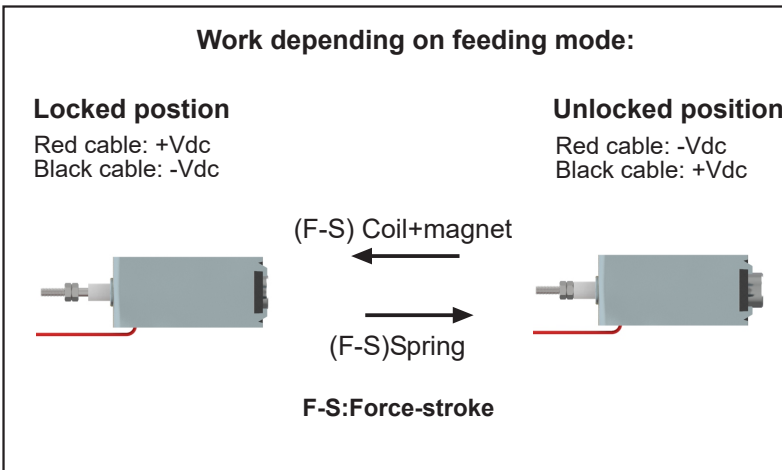
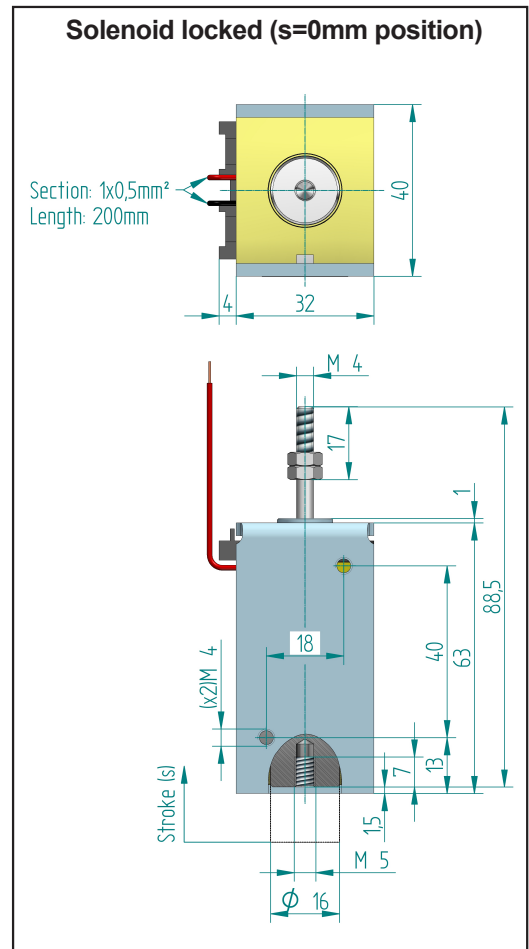


Protection rate: **IP00**
 Insulation class: **Y (90°C)**
 Reference cycle: **3 minutes**
 Standard stroke (s): **10 mm**
 Temperature rise "ΔV₃₁": **70°C**
 Working temperature: **-10 to 45°C**
 Work: **Push / Pull**

Release spring will be incorporated by defect

Standard spring force:
 F_s(s=0mm) = 29.4 N
 F_s(s=10mm) = 10 N

(Un) Standard voltage (Vdc)	24
(ED) Duty-cycle ED(%)	20
(P20) Power at 20°C (W)	67
Available voltage (Vdc)	from 12 to 205
Available voltage (Vac)	NOT AVAILABLE
Max time under voltage(s)	30
Plunger weight (Kg)	0.071
Solenoid weight (Kg)	0.365



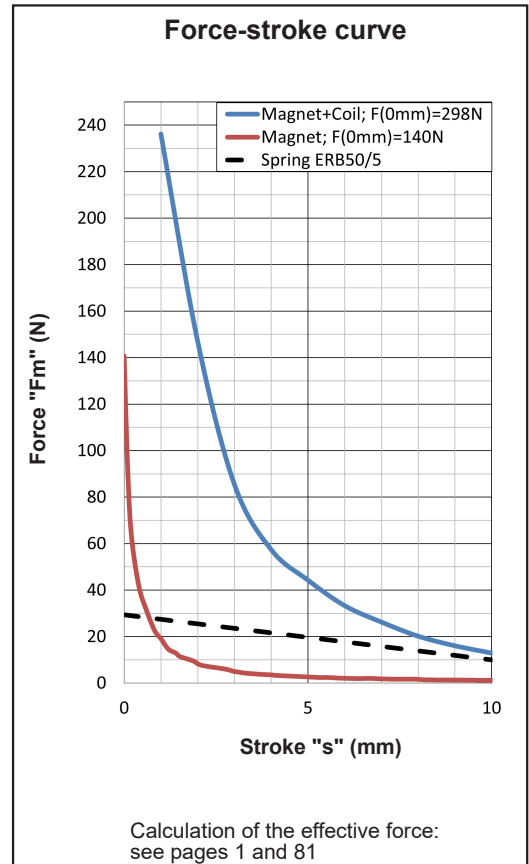
- Voltage under demand:

They can be manufactured at voltages between the maximum and minimum voltage values shown in the chart.

- If any customization from the original is needed, please ask us.

- Earthing is recommended if the metallic parts are accessible.

Ordering code: ERB50/N --V ED20% - Spring
 Voltage: 24Vdc; Duty cycle: ED20%; With spring:
 ERB50/N 24Vdc ED20% RS
 Voltage: 12Vdc; Duty cycle: ED20%; Without spring:
 ERB50/N 12Vdc ED20% RN



Spring yes: **RS** ; Spring no: **RN**

For fixation and mounting positions: see page 81