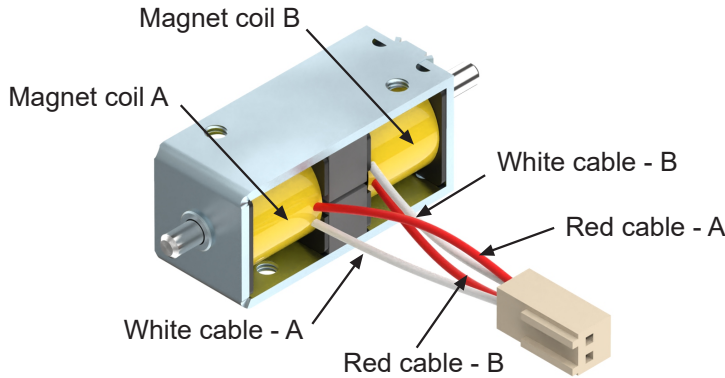


• **ERDI 15 TYPE**

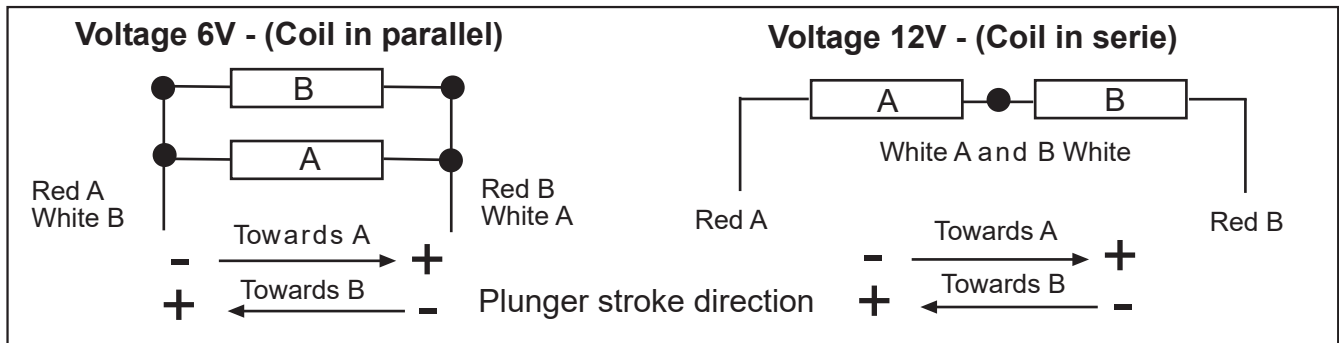
This solenoid has two resting positions, the stroke movement "s" from a position to the other one is made by a polarized electric signal, the plunger is retained in each end of stroke position using permanent magnets.



Protection rate: **IP00**  
 Insulation class: **E (120°C)**  
 Standard voltage: **from 6 to 12 Vdc**  
 Under demand voltage: **Ask NAFSA**  
 Standard stroke "s": **5mm**  
 Duty cycle ED: **33%**  
 Coil resistance at 20°C: **8 Ohm**  
 Initial force: **1.5 N**  
 Holding force: **6N**  
 Plunger weight: **0.005 Kg**  
 Solenoid weight: **0.040 Kg**

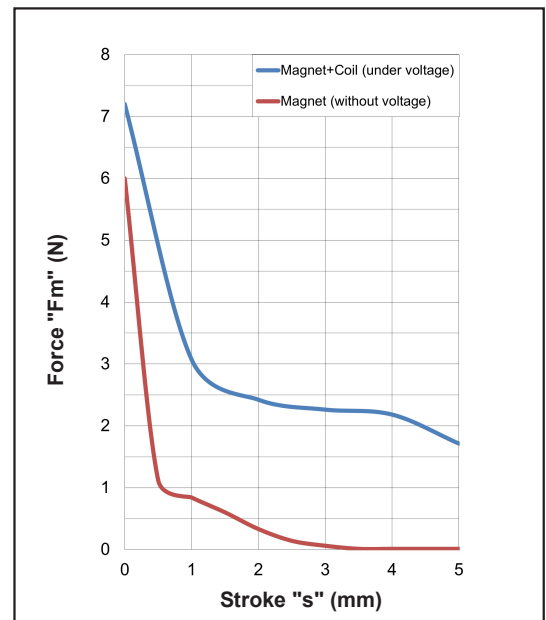
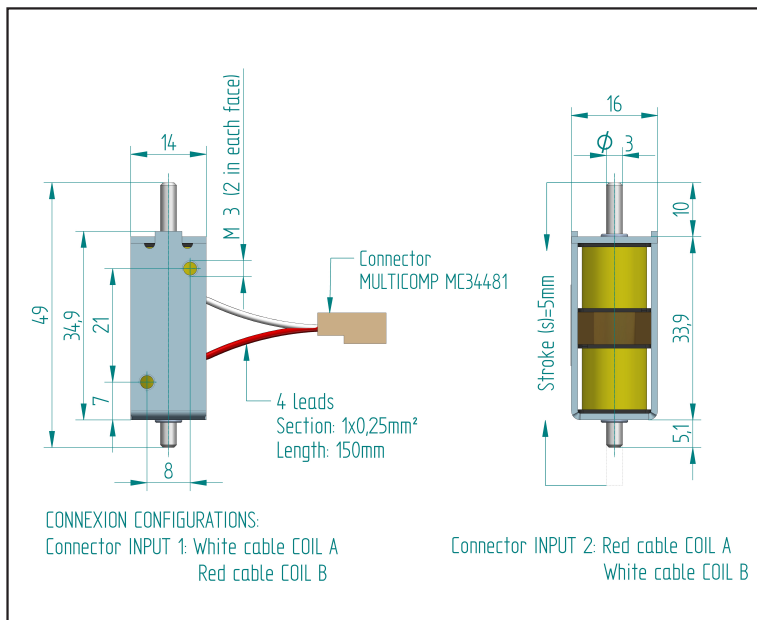
\*Compulsory earthing if the metallic parts are accessible.

Connection scheme: Coil in parallel will be the standard configuration.



Dimensional drawing:

Force-stroke Curve (F-S)



ASSEMBLY: the screw does not have to exceed the wall of the magnetic circuit

**Ordering code:**

Coil in parallel: *ERDI15 6V 33%, (standard configuration)*  
 Coil in serie: *ERDI15 12V 33%, (special configuration)*